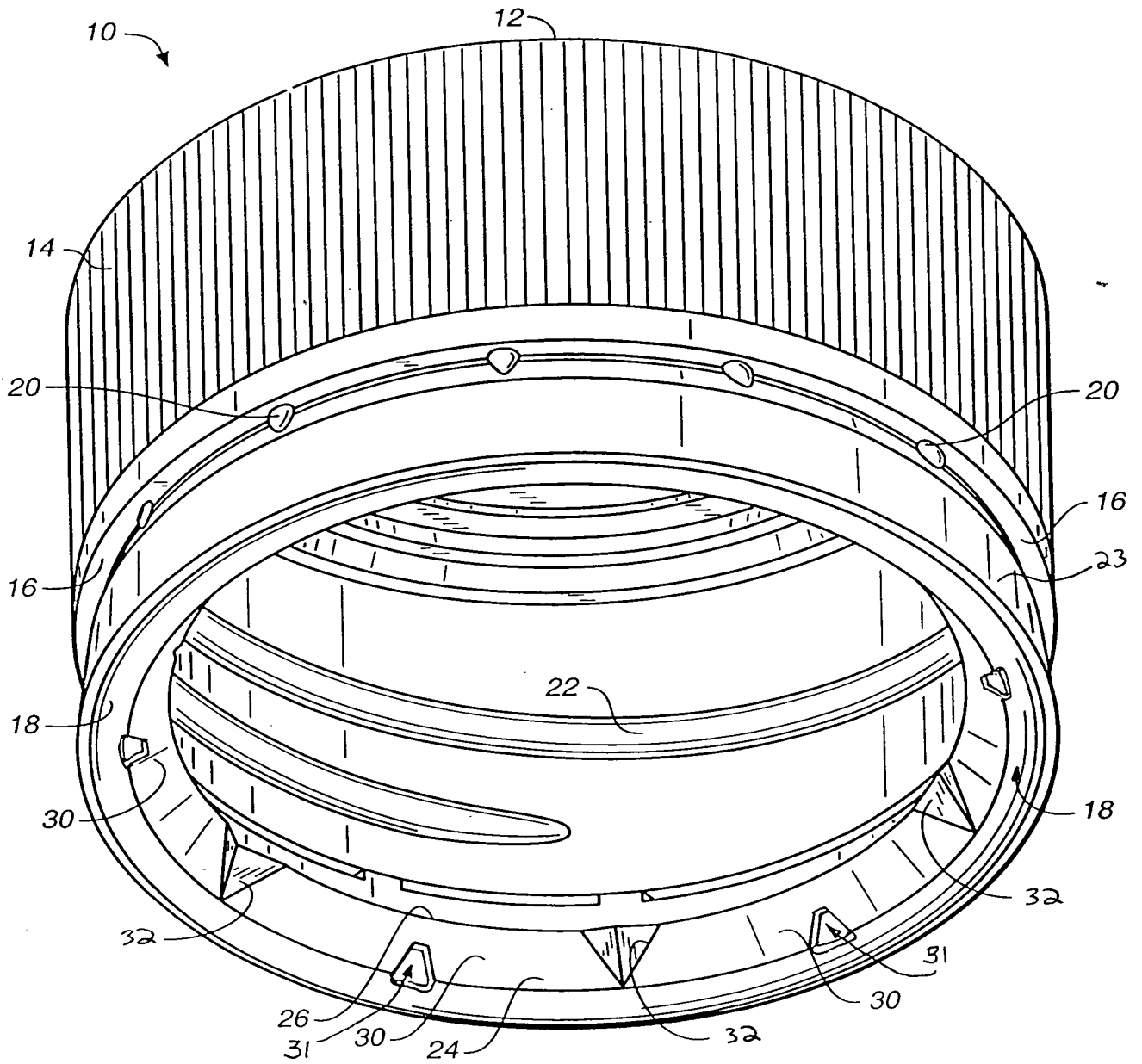


210
252



093344 09190

FIG. 1

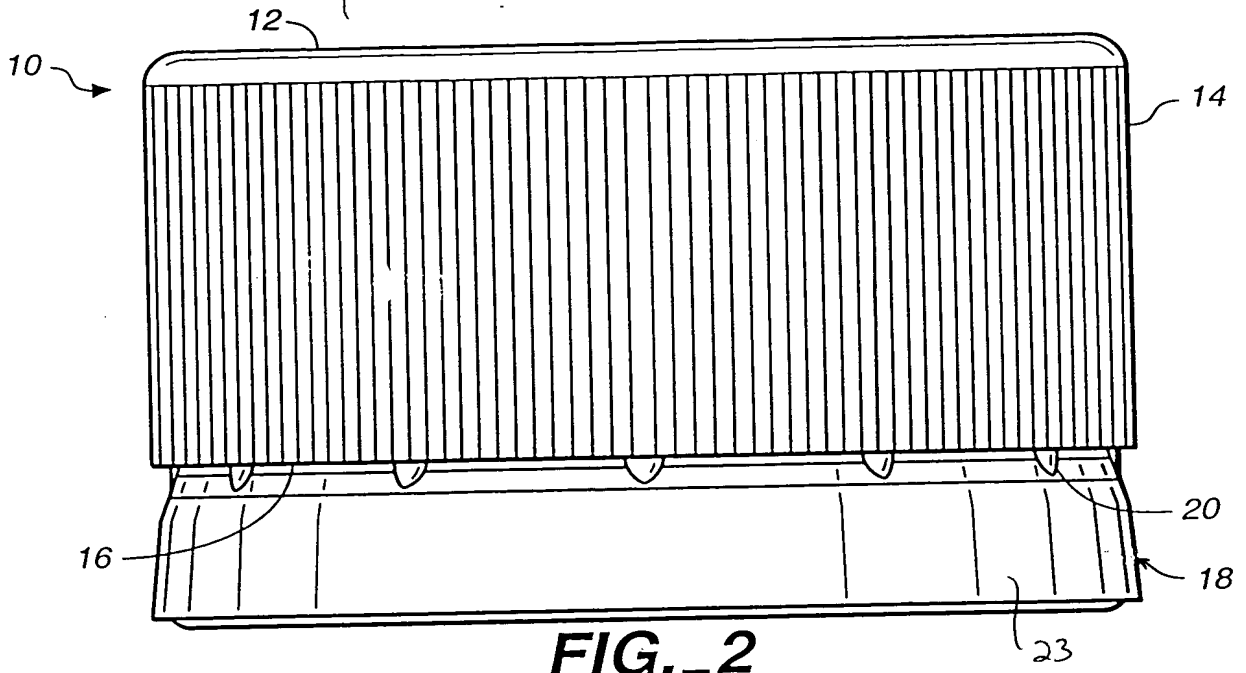


FIG. 2

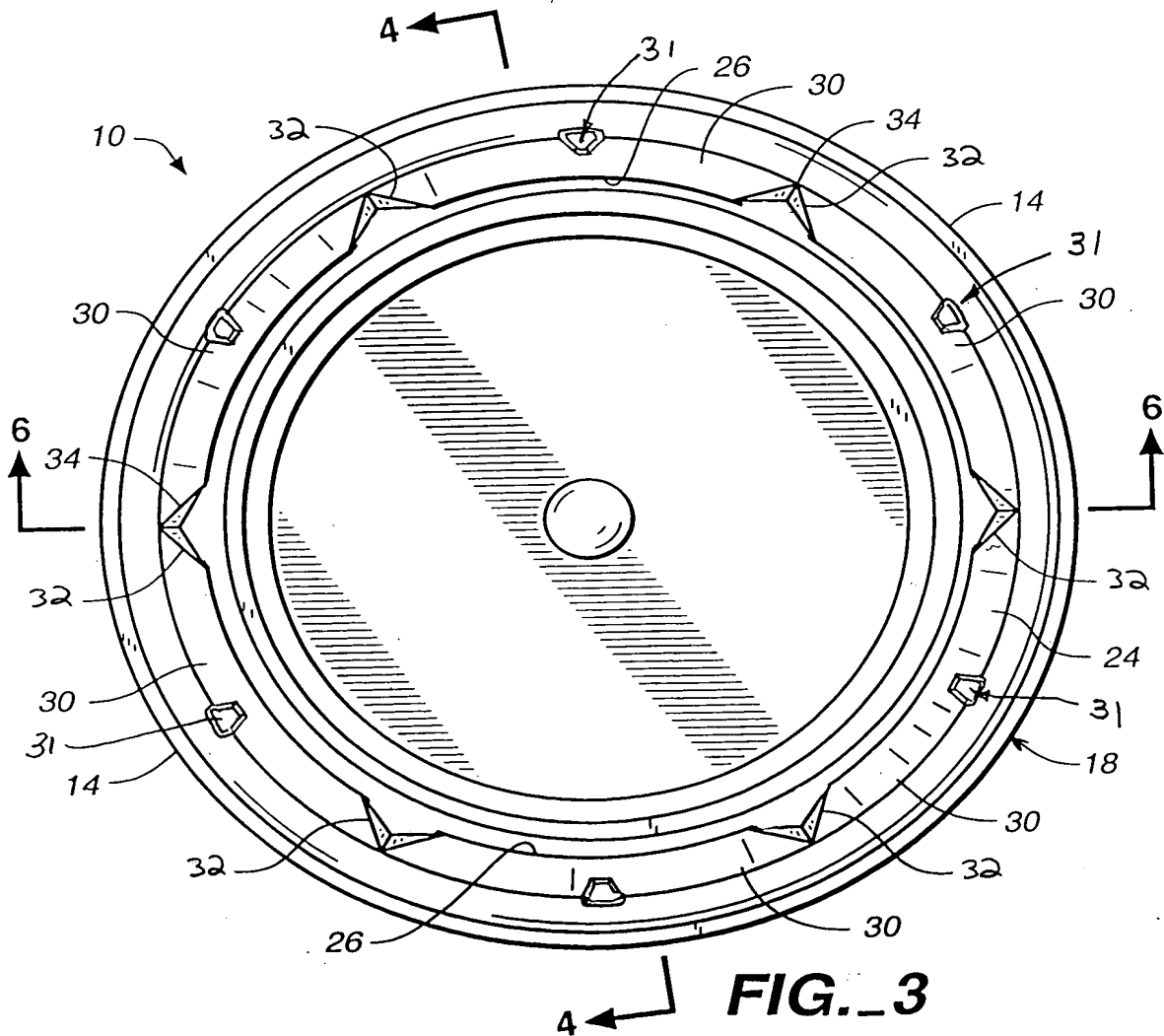


FIG. 3

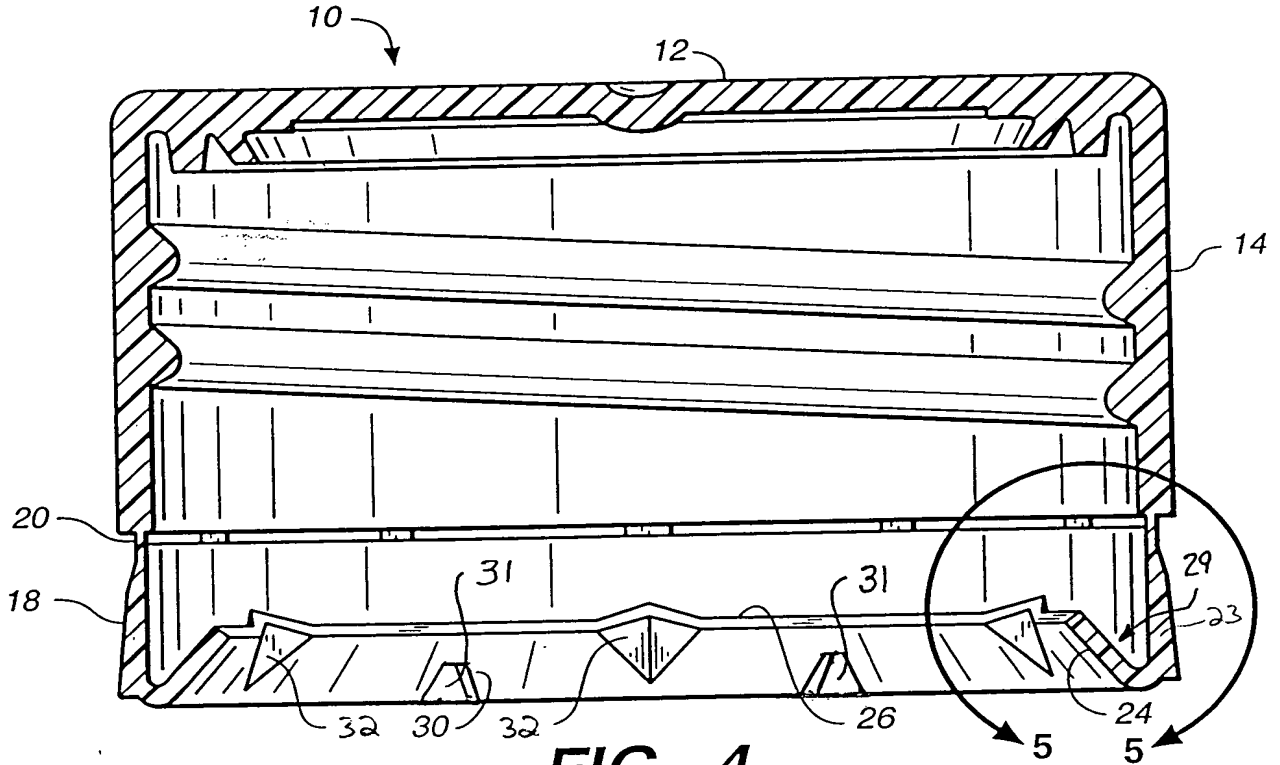


FIG. 4

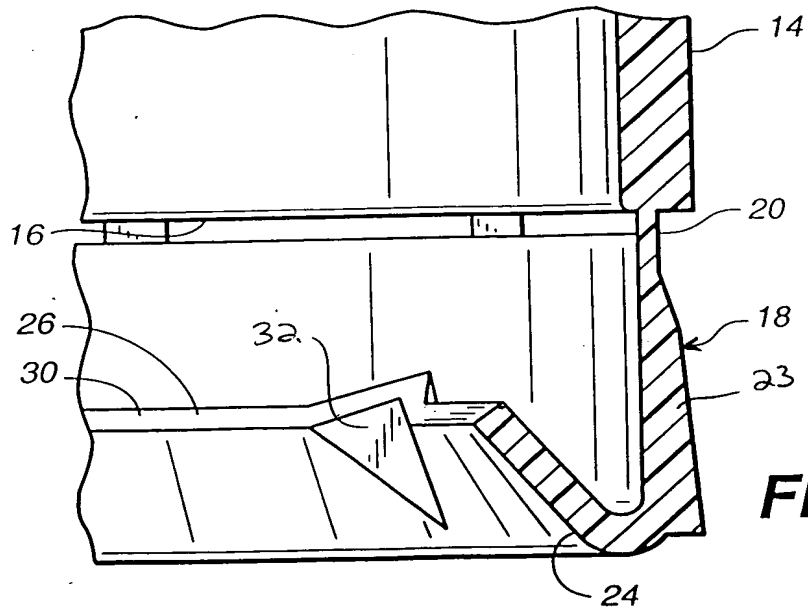


FIG. 5

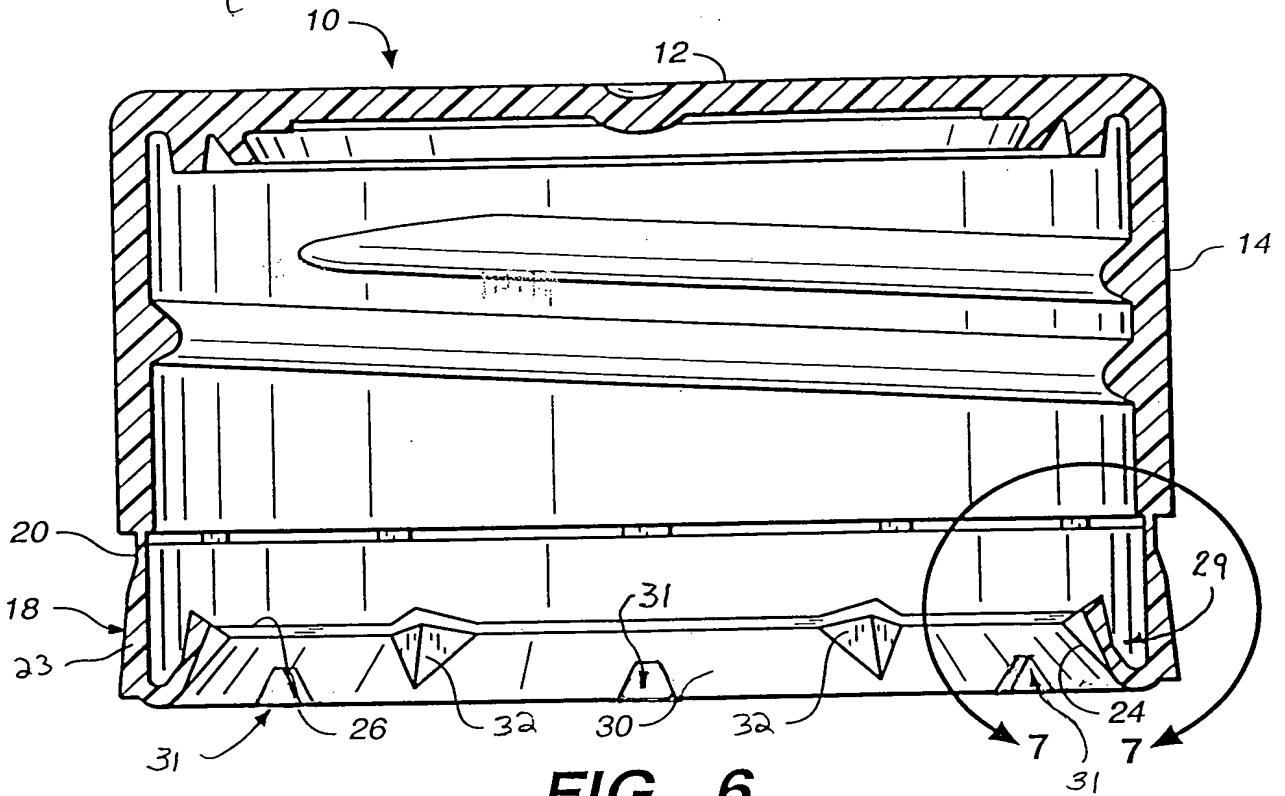


FIG. 6

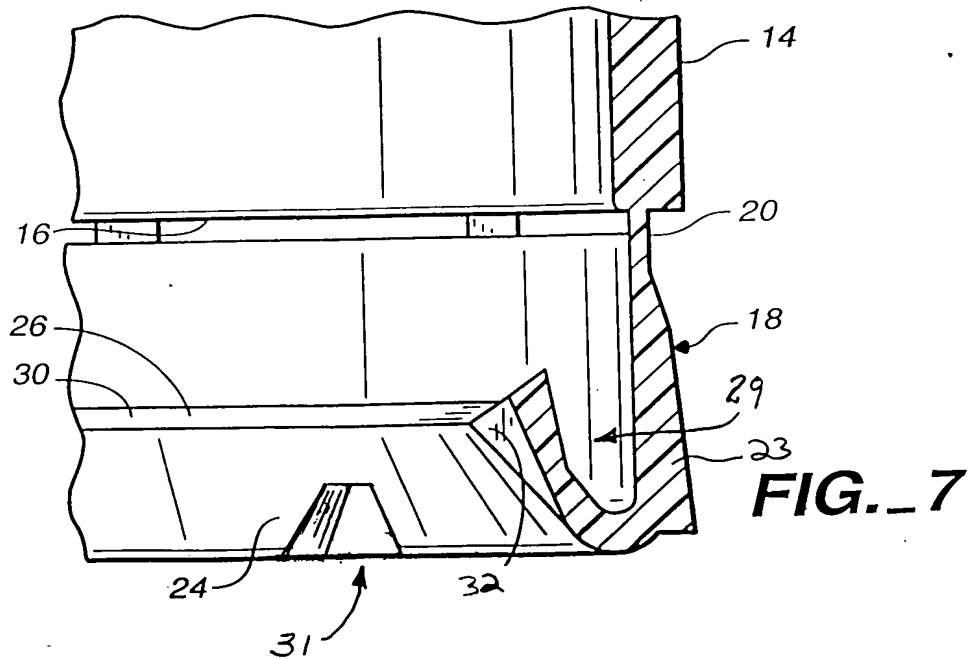


FIG. 7

0995844-091807

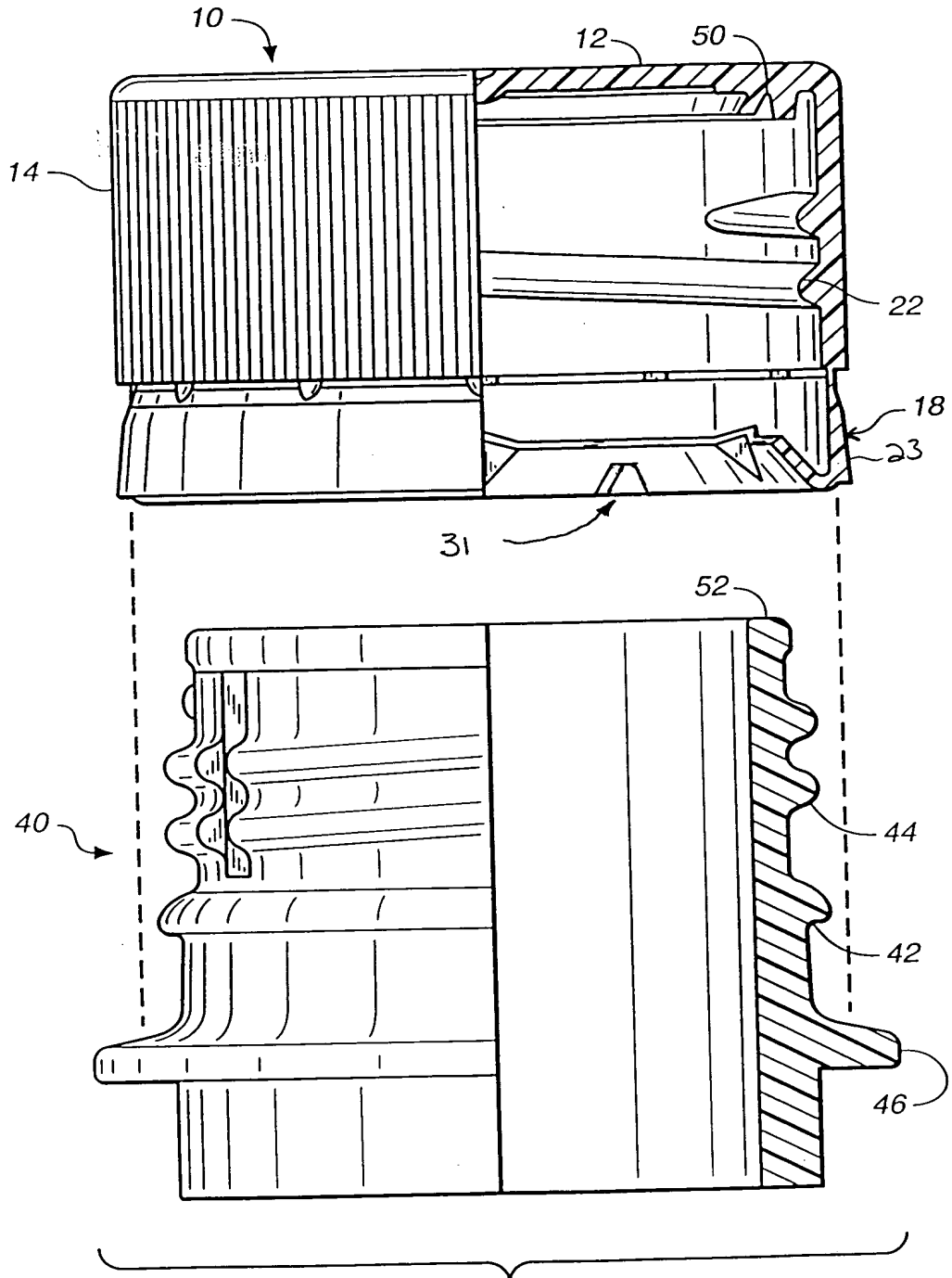


FIG. 8

FOR USE ONLY

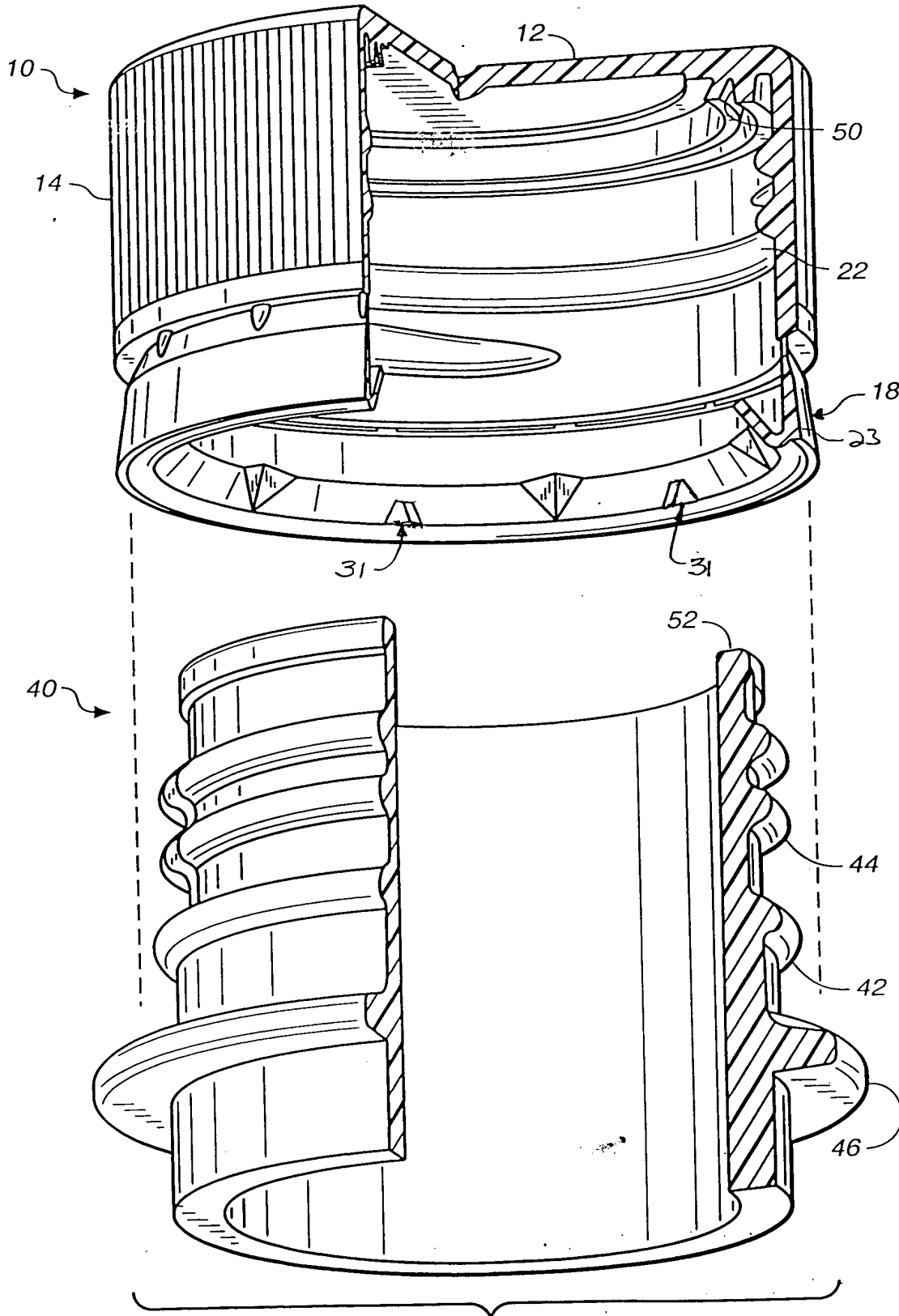


FIG. 9

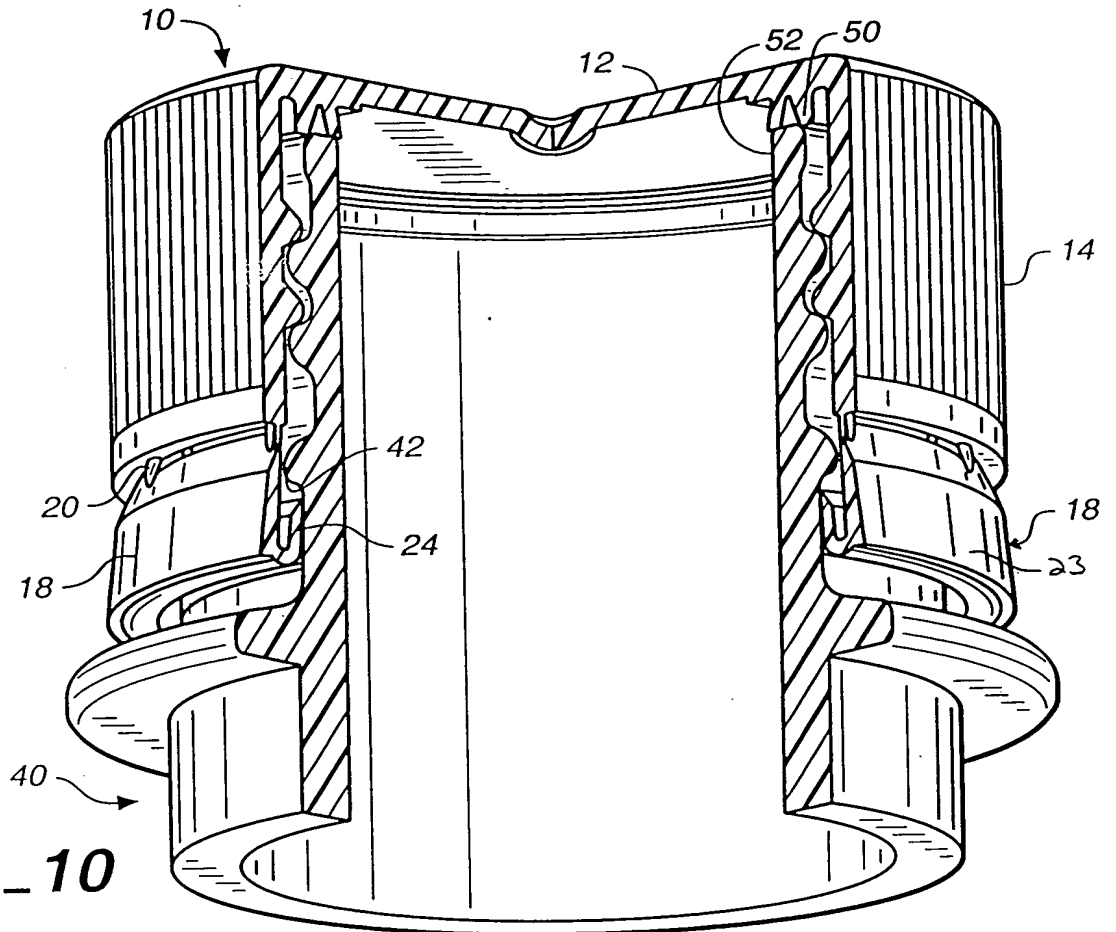


FIG. 10

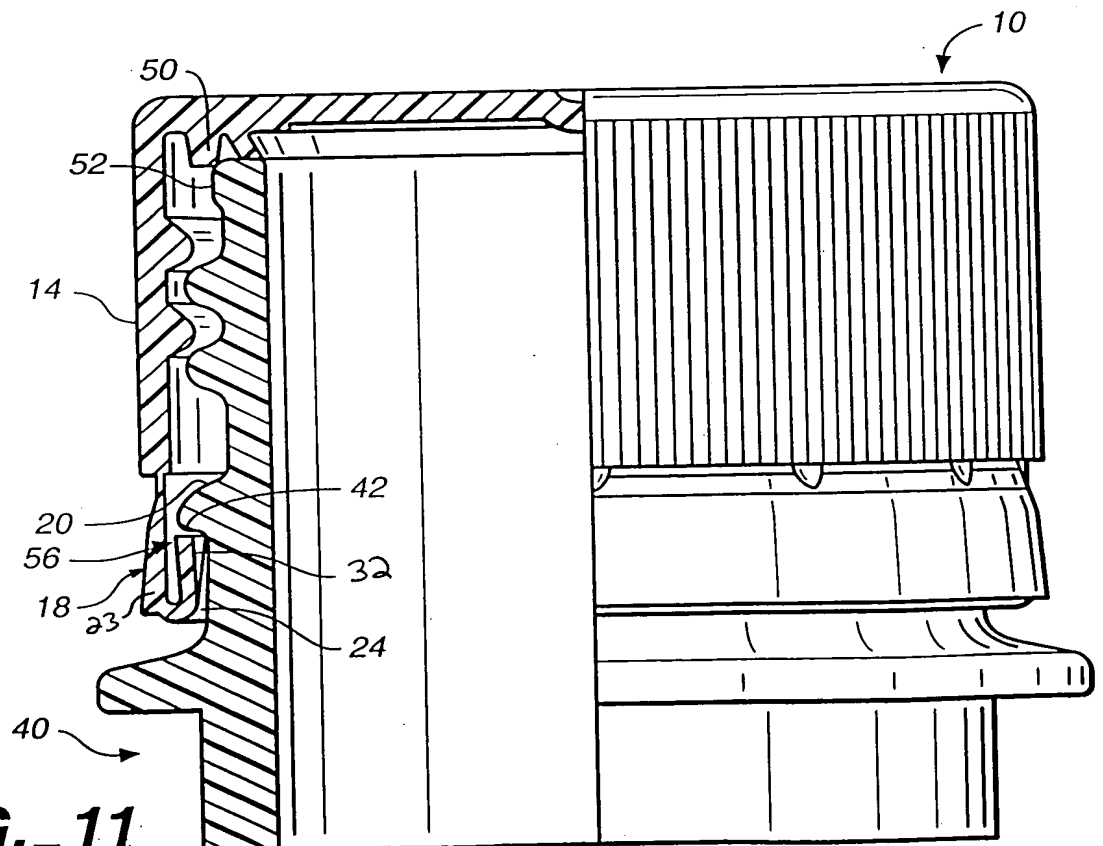


FIG. 11

03955644 03.4.03.4

US 6,544,060 B2

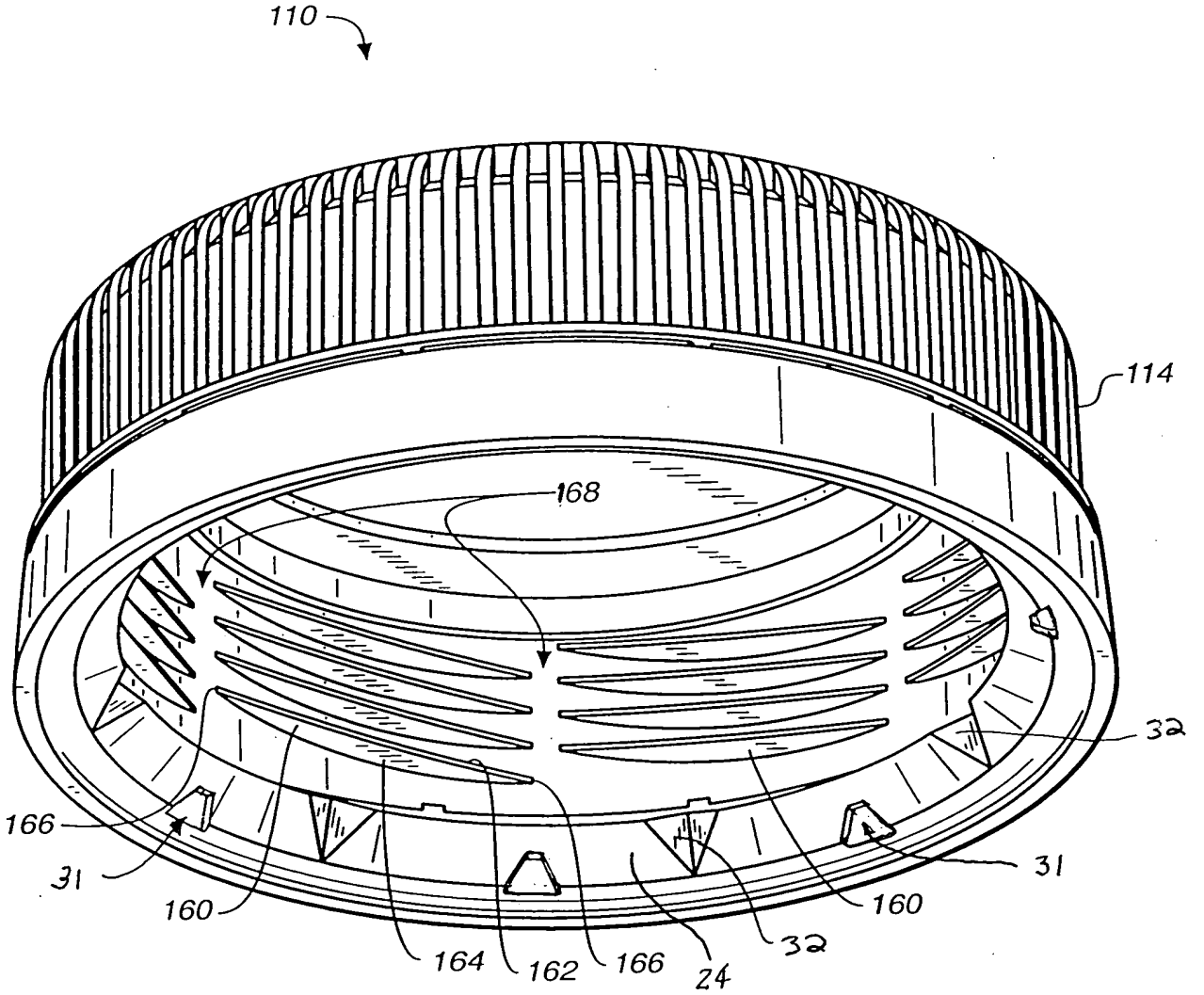


FIG. 12

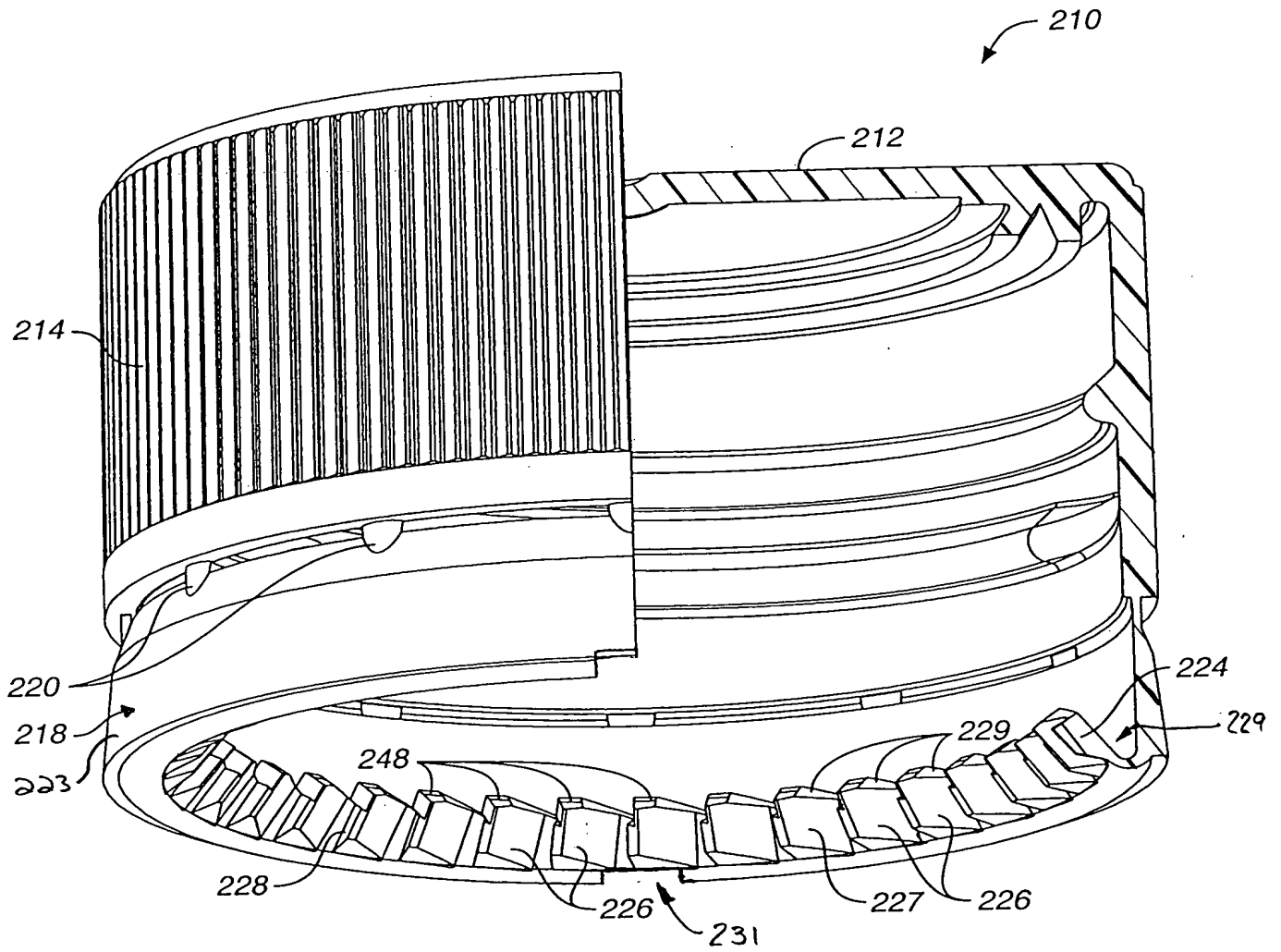


FIG. 13

TAMPER EVIDENCING CLOSURE
Mike Xiaoli MA
Docket No. A-64345-4/RBC/VEJ

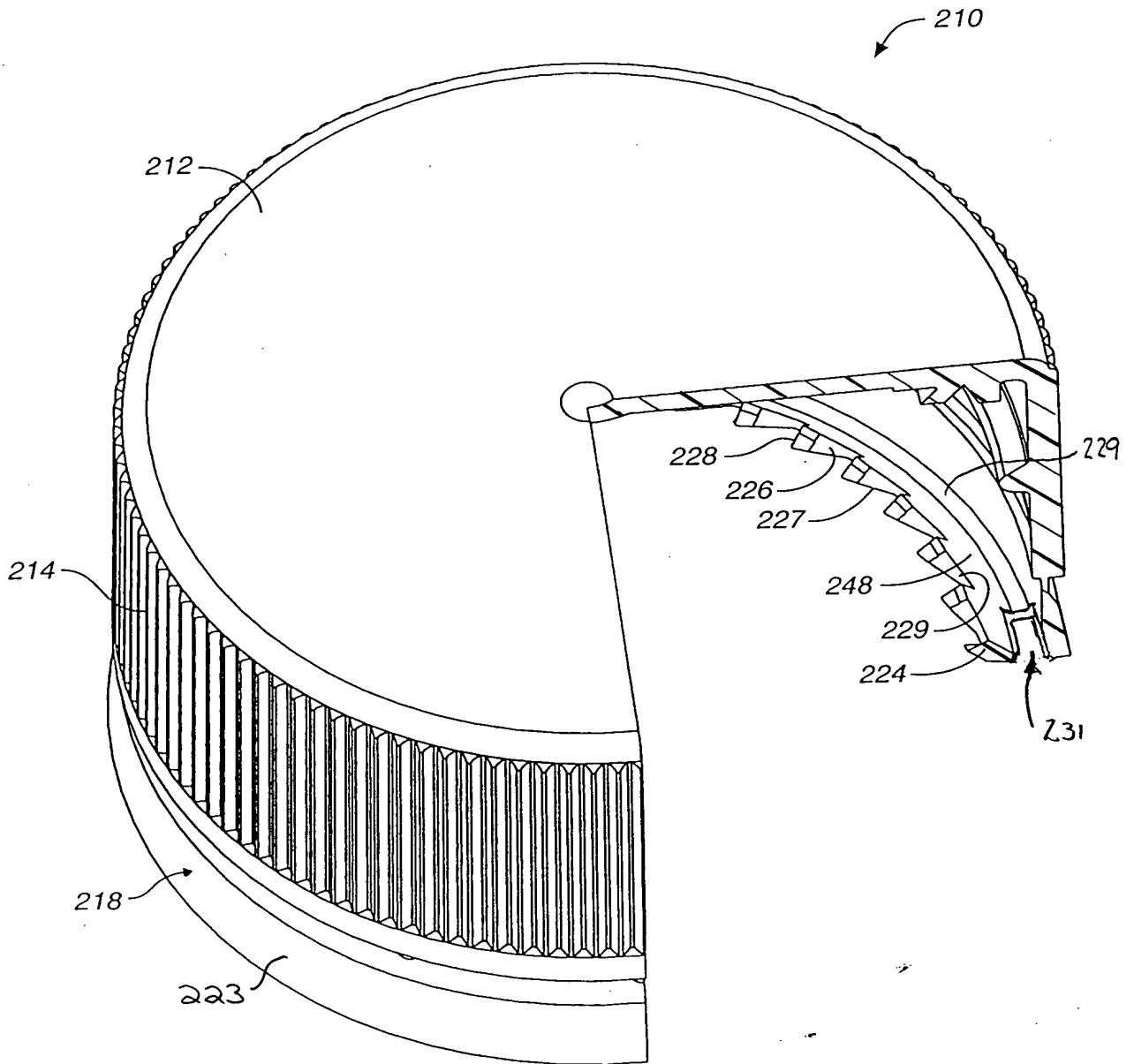


FIG. 14

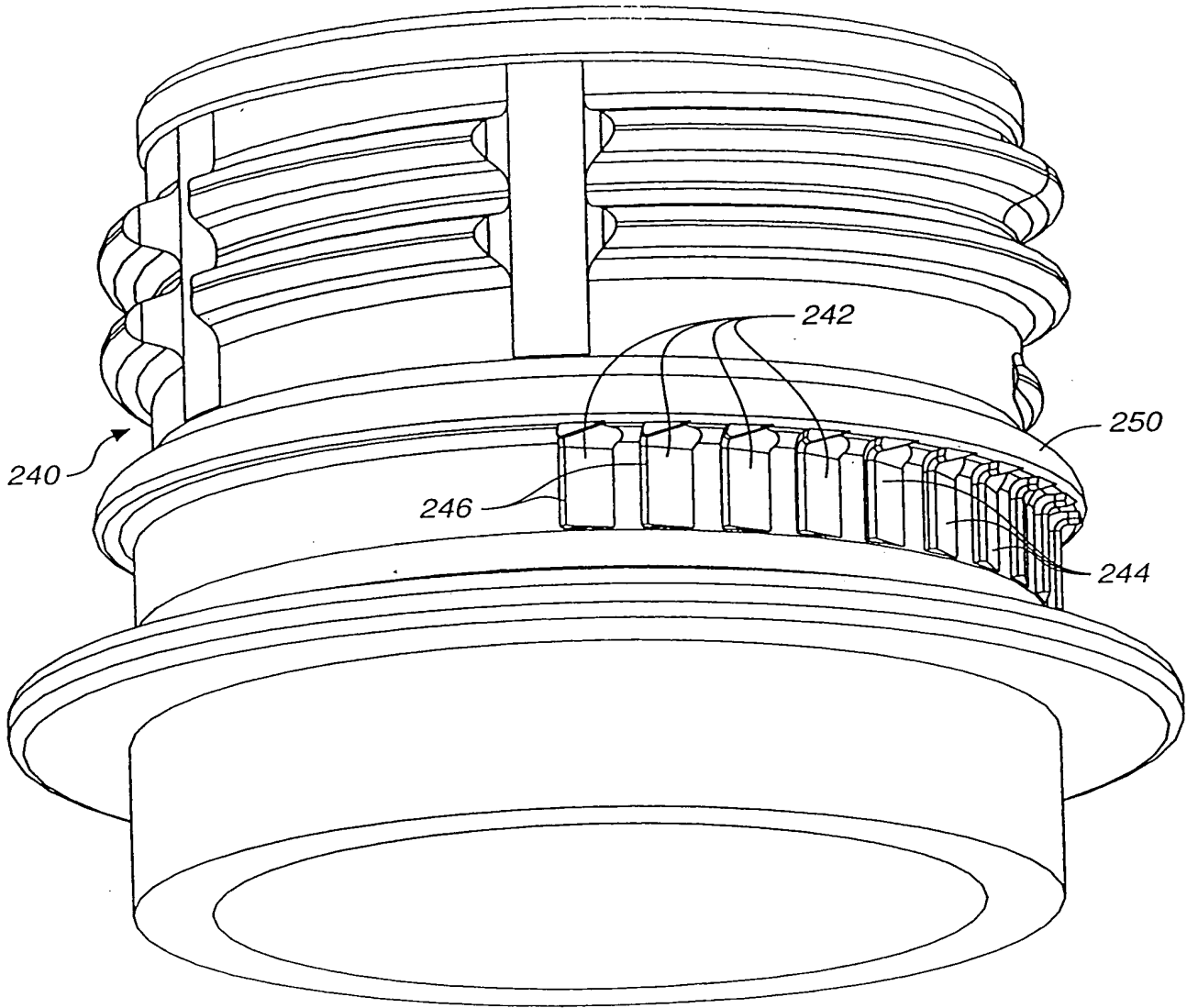


FIG. 15

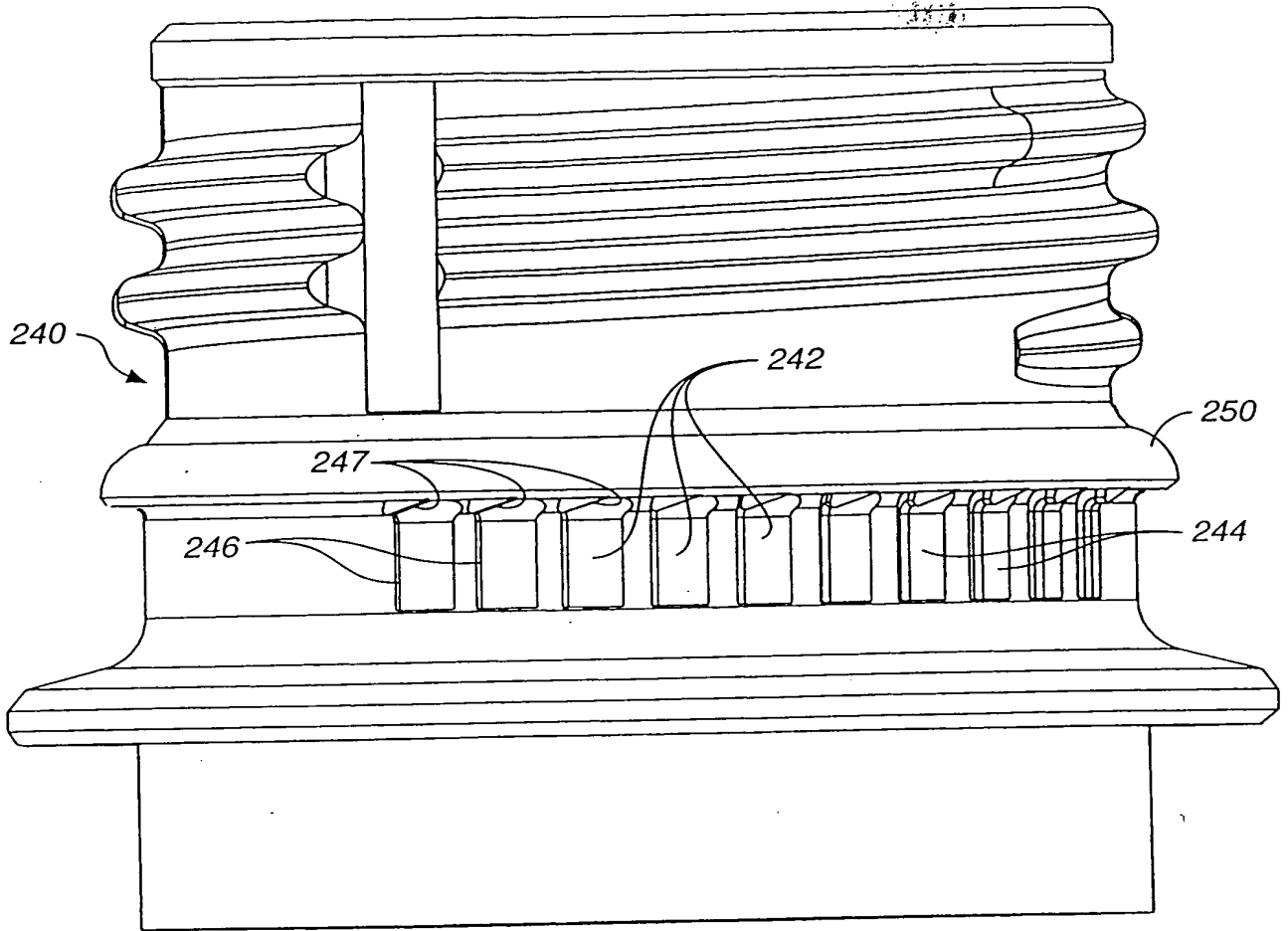


FIG. 16

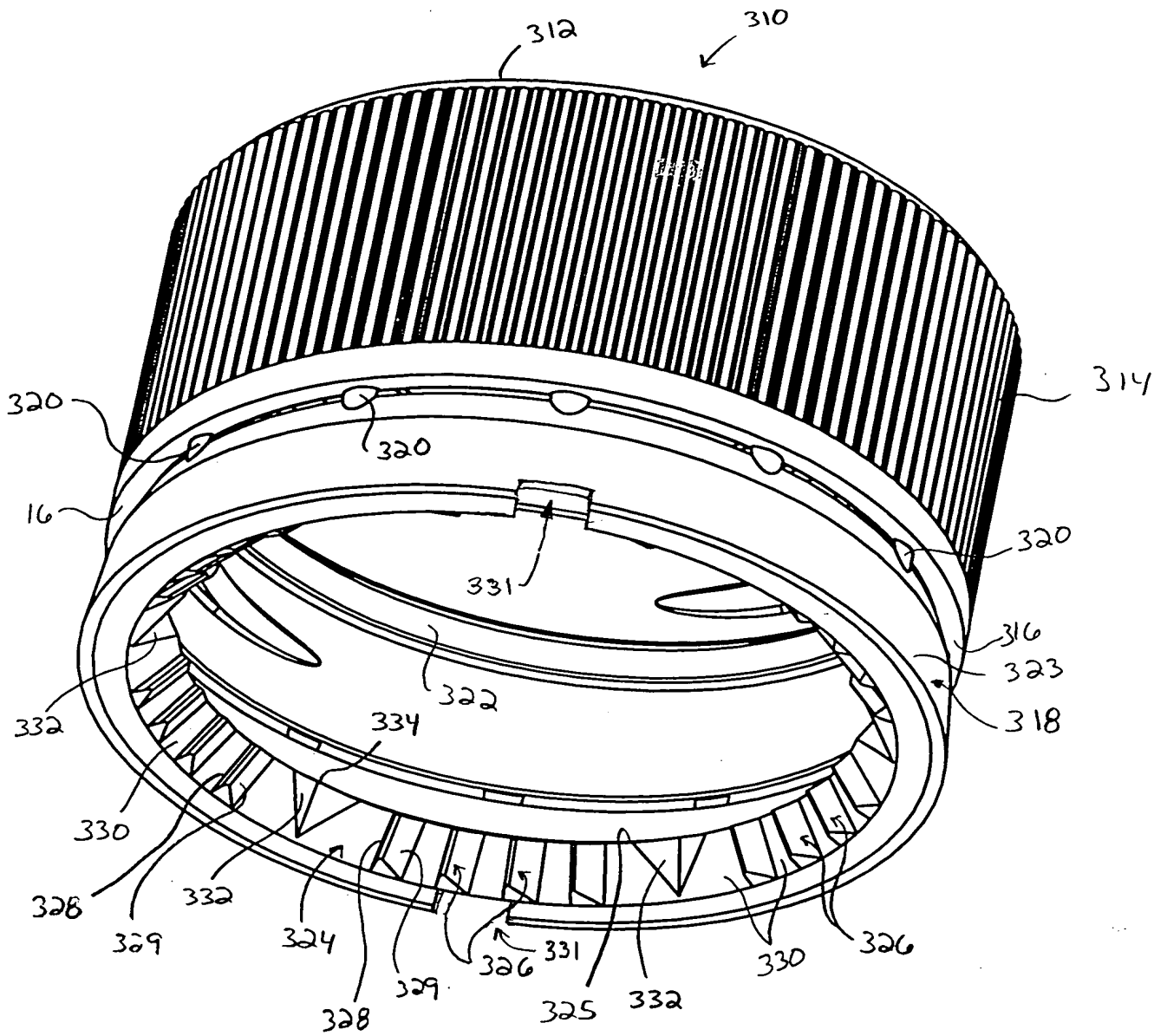


FIG. 17

FOR OFFICIAL USE ONLY

11/21/2014 09:56 AM

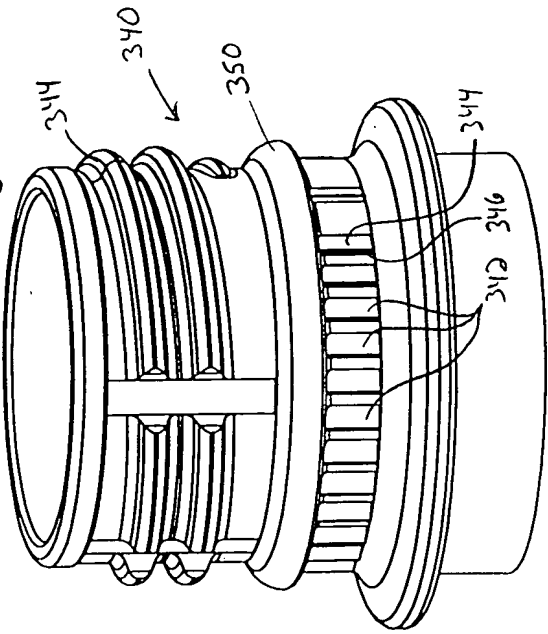
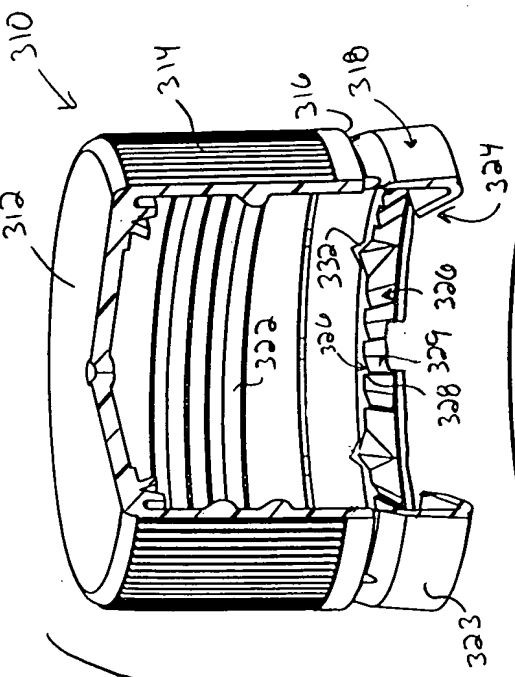


FIG. 18

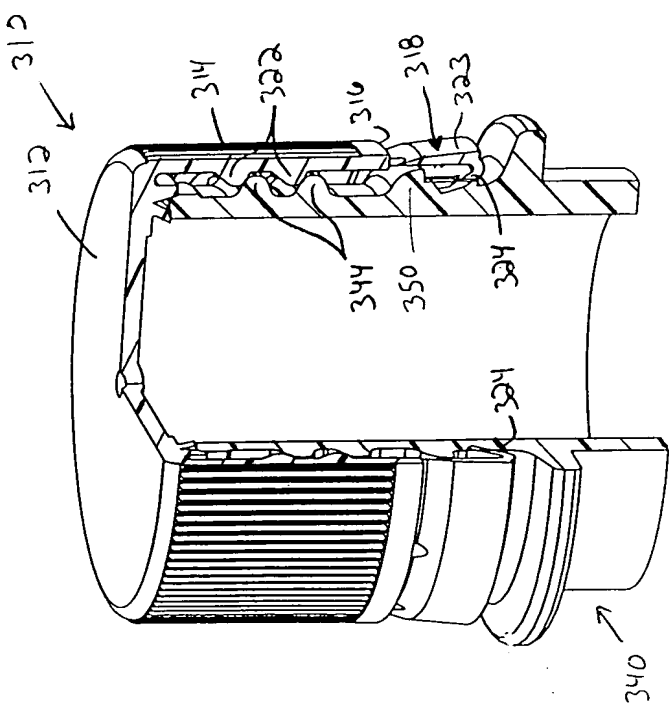


FIG. 19